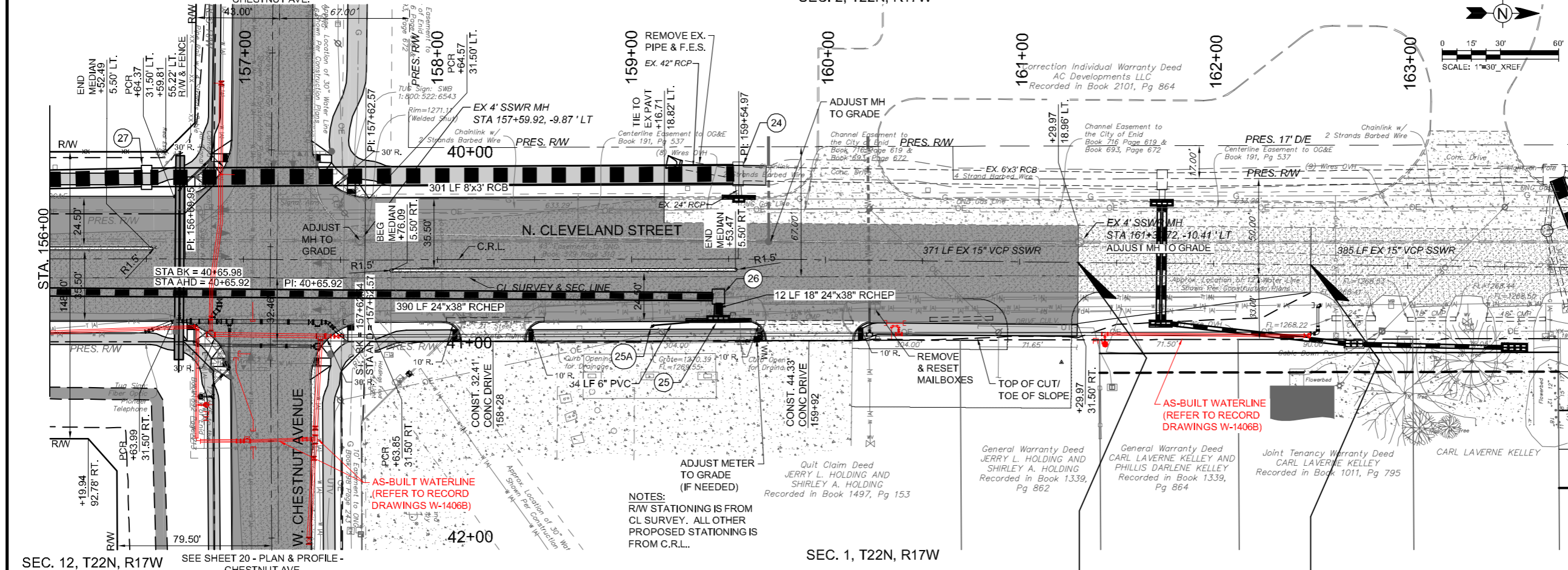
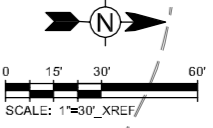


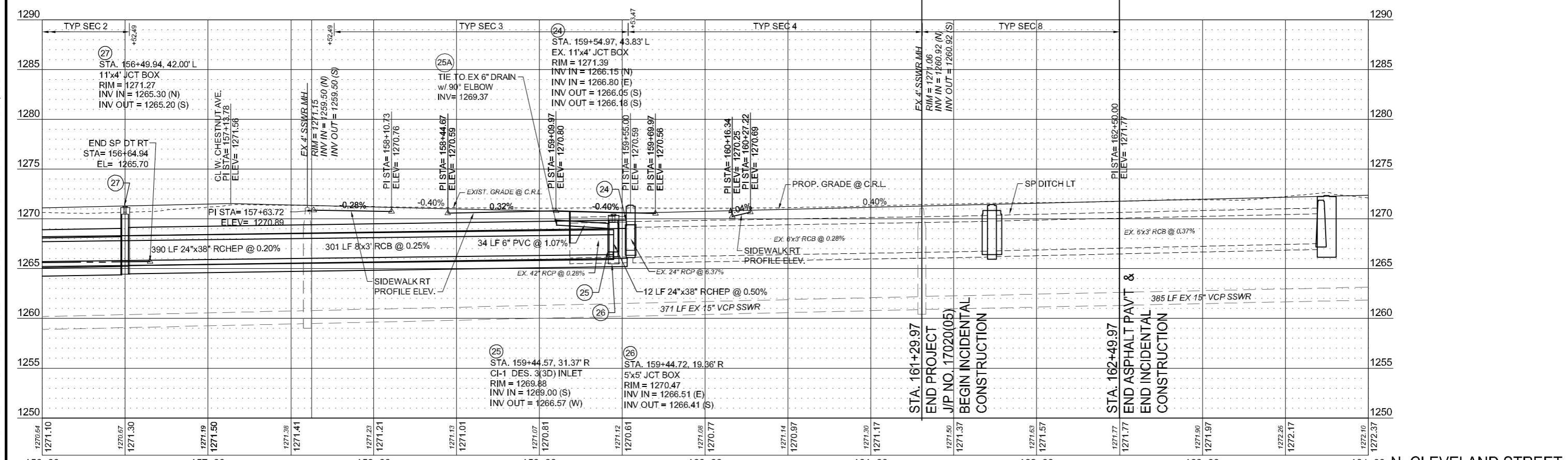
FED. ROAD DIST. NO.	STATE	STATE JOB NO.	FISCAL YEAR	SHEET NO.	TOTAL SHEETS
4	OKLA	17020(05)		22	

DESCRIPTION	REVISIONS	DATE



BENCHMARK LLS 101
CLEVELAND C.L. SURVEY STA. 157+85.17, 49.62' RT.=
CHESTNUT C.L. SURVEY STA. 41+15.78, 67.83' LT.
CUT "X" ON TOP OF CURB EL. 1271.36

BENCHMARK LLS 103
CLEVELAND C.L. SURVEY STA. 161+21.41, 44.63' RT.
#4 BAR EL. 1272.37



5/1/2017 10:53:4 AM - P:\2771\21\31\2771\2-300\CAD\SHETS\CLEVELAND PLAN & PROFILE.DWG - SCHUMACHER, MIKE